

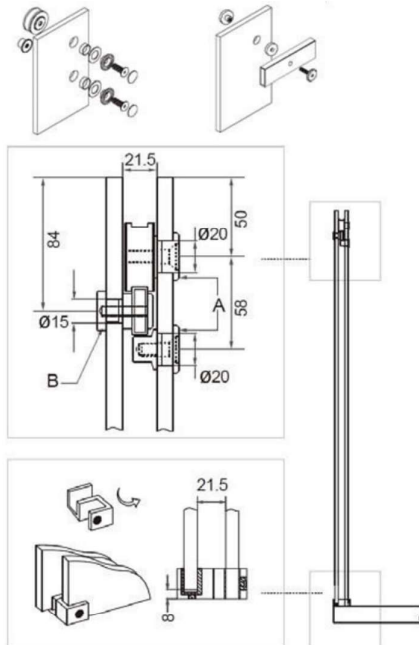
opto™
trio



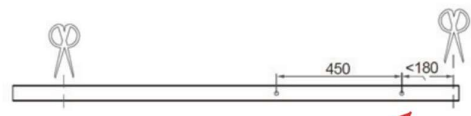
Installation Procedure

1. Fix Side and Return Panels using preferred fixing method
2. Attach **OPT6** Bracket to each Return Panel
3. Trim Rail to length (see diagram.1)
4. Slide 2 x **OPT2** Door Stops onto Rail ensuring grub screws face outside of shower. (Note: Rubber Stop is reversible). Determine precise location for Door Stops and tighten into position.
5. Fix Rail to Side and Return Panels using **OPT5** Fixings and **OPT6** Sleeves
6. Fit **OPT4** Rollers to door and hang door on Rail
7. Fit **OPT4** Guides to door and adjust rollers and guides accordingly
8. Slide Door Stops into position and tighten as required
9. Fix **OPT3** Floor Guide

Roller & Rail Assembly



Rail Preparation (diagram.1)



NOTE! Your glass may have been processed differently. Please measure the hole distance on the fixed panel before trimming the track!