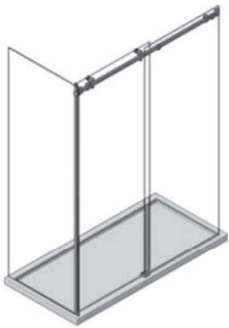


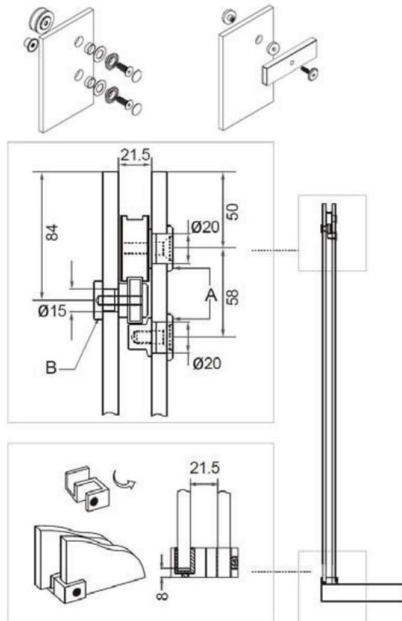
opto
square™



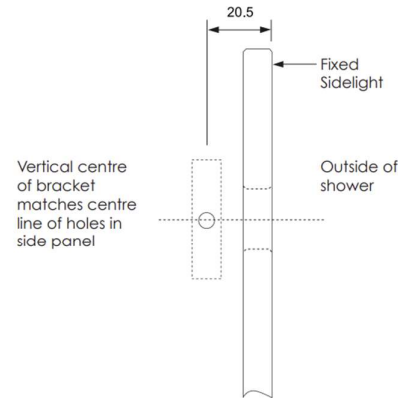
Installation Procedure

1. Fix Side and Return Panels using preferred fixing method
2. Attach OPT6 Bracket to Return Panel
3. Attach OPT1 Bracket to wall (see diagram.1)
4. Trim Rail to length (see diagram.2)
5. Slide 2 x OPT2 Door Stops onto Rail ensuring grub screws face outside of shower. (Note: Rubber Stop is reversible). Determine precise location for Door Stops and tighten into position.
6. Fix Rail to Return Panel, Side Panel and wall using OPT5 Fixings and OPT1 Sleeves
7. Fit OPT4 Rollers to door and hang door on Rail
8. Fit OPT4 Guides to door and adjust rollers and guides accordingly
9. Slide Door Stops into position and tighten as required
10. Fix OPT3 Floor Guide

Roller & Rail Assembly



OPT1 Bracket Location (diagram.1)



Rail Preparation (diagram.2)



NOTE! Your glass may have been processed differently. Please measure the hole distance on the fixed panel before trimming the track!