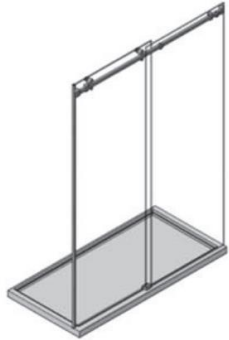
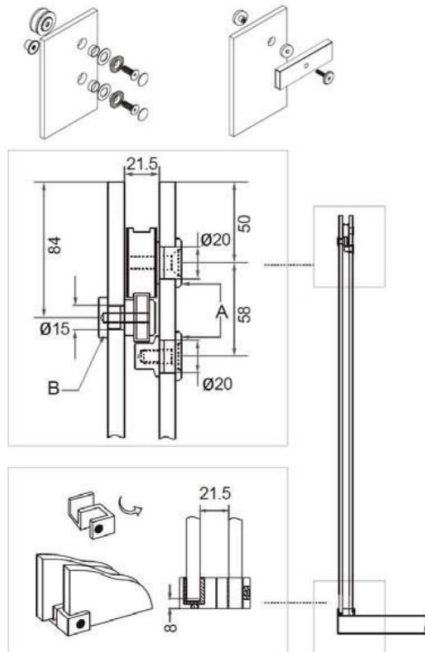


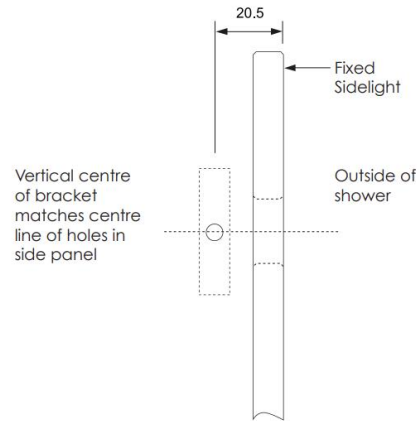
opto<sup>™</sup>  
inline



### Roller & Rail Assembly



### OPT1 Bracket Location (diagram.1)



### Rail Preparation (diagram.2)



### Installation Procedure

1. Fix Side Panel using preferred fixing method
2. Fix 2 x OPT1 Brackets to wall (see diagram.1)
3. Trim Rail to length (see diagram.2)
4. Slide 2 x OPT2 Door Stops onto Rail ensuring grub screws face outside of shower. (Note: Rubber Stop is reversible). Determine precise location for Door Stops and tighten into position.
5. Fix Rail to Return, Side Panel and walls using OPT5 Fixings and OPT1 Sleeves
6. Fit OPT4 Rollers to door and hang door on Rail
7. Fit OPT4 Guides to door and adjust rollers and guides accordingly
8. Slide Door Stops into position and tighten as required
9. Fix OPT3 Floor Guide

**NOTE!** Your glass may have been processed differently. Please measure the hole distance on the fixed panel before trimming the track!